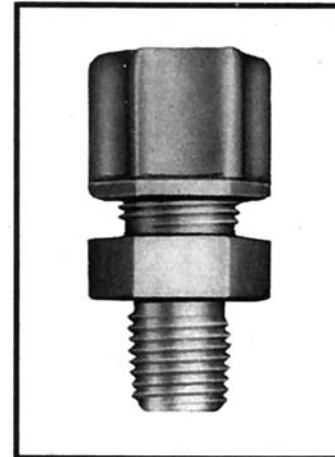


## JACO 快速接頭 (PP PVDF)

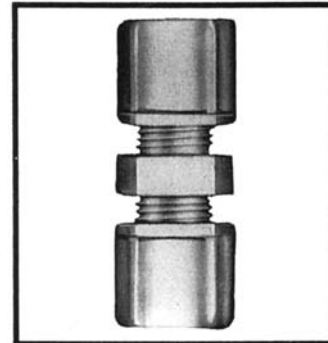
### 單向外牙接頭

編號	管外徑	NPT	編號	管外徑	NPT
10-2-2	1/8"	1/8"	10-8-2	1/2"	1/8"
10-4-2	1/4"	1/8"	10-8-4	1/2"	1/4"
10-4-4	1/4"	1/4"	10-8-6	1/2"	3/8"
10-4-6	1/4"	3/8"	10-8-8	1/2"	1/2"
10-5-2	5/16"	1/8"	10-10-6	5/8"	3/8"
10-5-4	5/16"	1/4"	10-10-8	5/8"	1/2"
10-6-2	3/8"	1/8"	10-12-8	3/4"	1/2"
10-6-4	3/8"	1/4"	10-12-12	3/4"	3/4"
10-6-6	3/8"	3/8"	10-14-12	7/8"	3/4"
10-6-8	3/8"	1/2"			



### 雙向接頭

編號	管外徑
15-4	1/4" x 1/4"
15-5	5/16" x 5/16"
15-6	3/8" x 3/8"
15-8	1/2" x 1/2"
15-10	5/8" x 5/8"
15-12	3/4" x 3/4"
15-14	7/8" x 7/8"

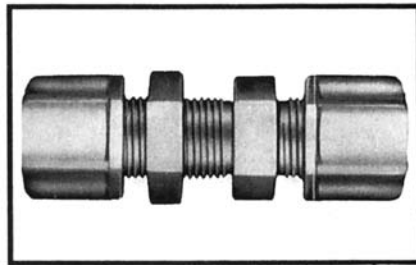


### 雙向異徑接頭

編號	管外徑
15-4-2	1/4" x 1/8"
15-5-4	5/16" x 1/4"
15-6-4	3/8" x 1/4"
15-8-6	1/2" x 3/8"
15-10-6	5/8" x 3/8"
15-10-8	5/8" x 1/2"
15-14-10	7/8" x 5/8"

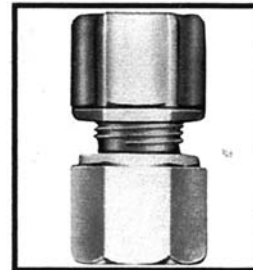
### 隔板固定雙向接頭

編號	管外徑
20-4	1/4"
20-5	5/16"
20-6	3/8"
20-8	1/2"
20-12	3/4"



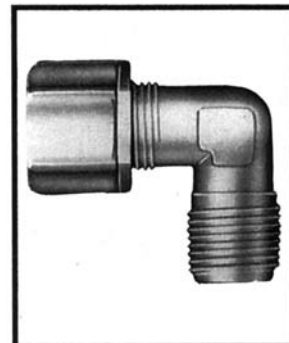
### 單向內牙接頭

編號	管外徑	NPT	編號	管外徑	NPT
25-4-2	1/4"	1/8"	25-6-8	3/8"	1/2"
25-4-4	1/4"	1/4"	25-8-6	1/2"	3/8"
25-5-4	5/16"	1/4"	25-8-8	1/2"	1/2"
25-6-4	3/8"	1/4"	25-10-8	5/8"	1/2"
25-6-6	3/8"	3/8"			



### L型外牙彎頭

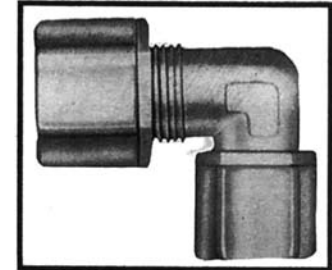
編號	管外徑	NPT	編號	管外徑	NPT
40-2-2	1/8"	1/8"	40-6-4	3/8"	1/4"
40-4-2	1/4"	1/8"	40-6-6	3/8"	3/8"
40-4-4	1/4"	1/4"	40-8-4	1/2"	1/4"
40-4-6	1/4"	3/8"	40-8-6	1/2"	3/8"
40-5-2	5/16"	1/8"	40-8-8	1/2"	1/2"
40-5-4	5/16"	1/4"	40-10-6	5/8"	3/8"
			40-10-8	5/8"	1/2"



## JACO 快速接頭 (PP PVDF)

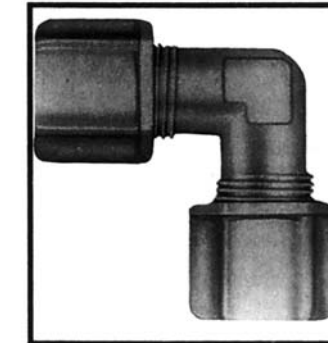
### L型彎頭

編號	管外徑	NPT	編號	管外徑	NPT
45-2-4	1/8"	1/4"	45-6-4	3/8"	1/4"
45-4-2	1/4"	1/8"	45-6-6	3/8"	3/8"
45-4-4	1/4"	1/4"	45-8-6	1/2"	3/8"
45-5-4	5/16"	1/4"	45-8-8	1/2"	1/2"
			45-10-8	5/8"	1/2"



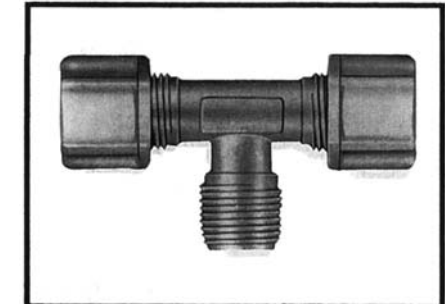
### L型內牙彎頭

編號	管外徑
50-4	1/4"
50-5	5/16"
50-6	3/8"
50-8	1/2"
50-10	5/8"
50-14	7/8"
50-14-10	7/8" x 5/8"



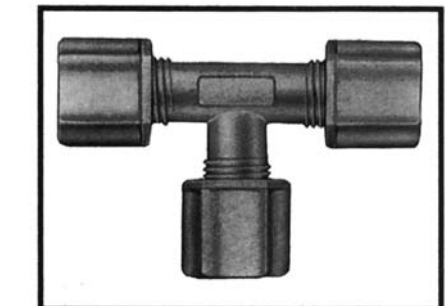
### T型外牙接頭

編號	管外徑	NPT	編號	管外徑	NPT
60-4-2	1/4"	1/8"	60-8-6	1/2"	3/8"
60-4-4	1/4"	1/4"	60-8-8	1/2"	1/2"
60-5-4	5/16"	1/4"	60-10-8	5/8"	1/2"
60-6-4	3/8"	1/4"	60-12-8	3/4"	1/2"
60-6-6	3/8"	3/8"	60-12-12	3/4"	3/4"
			60-14-12	7/8"	3/4"



### T型接頭

編號	管外徑	編號	管外徑
70-2	1/8"	70-10	3/8"
70-4	1/4"	70-10-6	5/8" x 3/8"
70-5	5/16"	70-12	3/4"
70-6	3/8"	70-14	7/8"
70-8	1/2"	70-14-10	7/8" x 5/8"
70-10	5/8"	70-14-10-10	7/8" x 5/8"



### T型外牙分流接頭

編號	管外徑	NPT	編號	管外徑	NPT
75-4-2	1/4"	1/8"	75-8-6	1/2"	3/8"
75-4-4	1/4"	1/4"	75-8-8	1/2"	1/2"
75-5-4	5/16"	1/4"	75-10-8	5/8"	1/2"
75-6-4	3/8"	1/4"	75-12-8	3/4"	3/4"
75-6-6	3/8"	3/8"	75-12-12	3/4"	3/4"
			75-14-12	7/8"	3/4"

